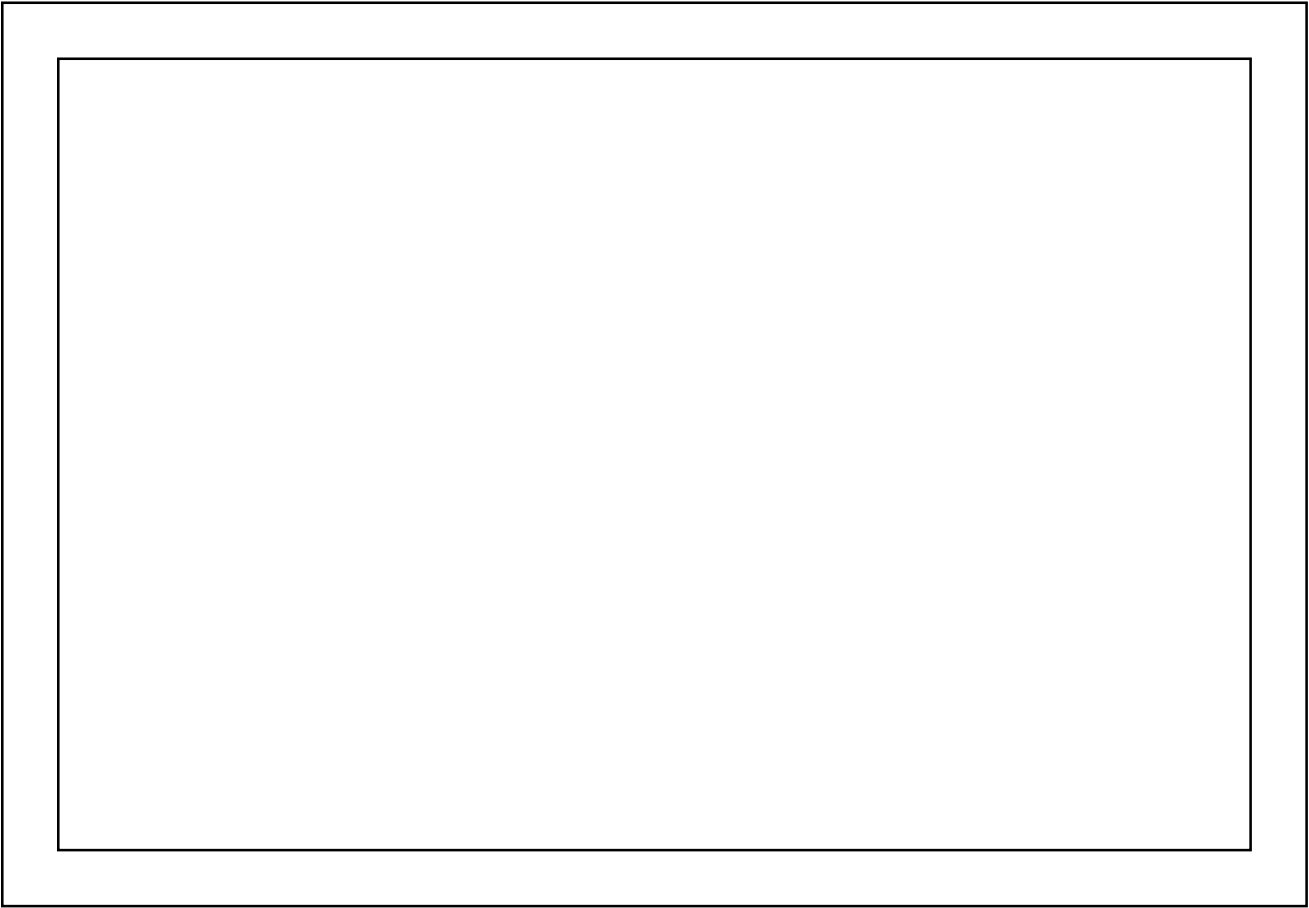


# Plan for Solar protection fence

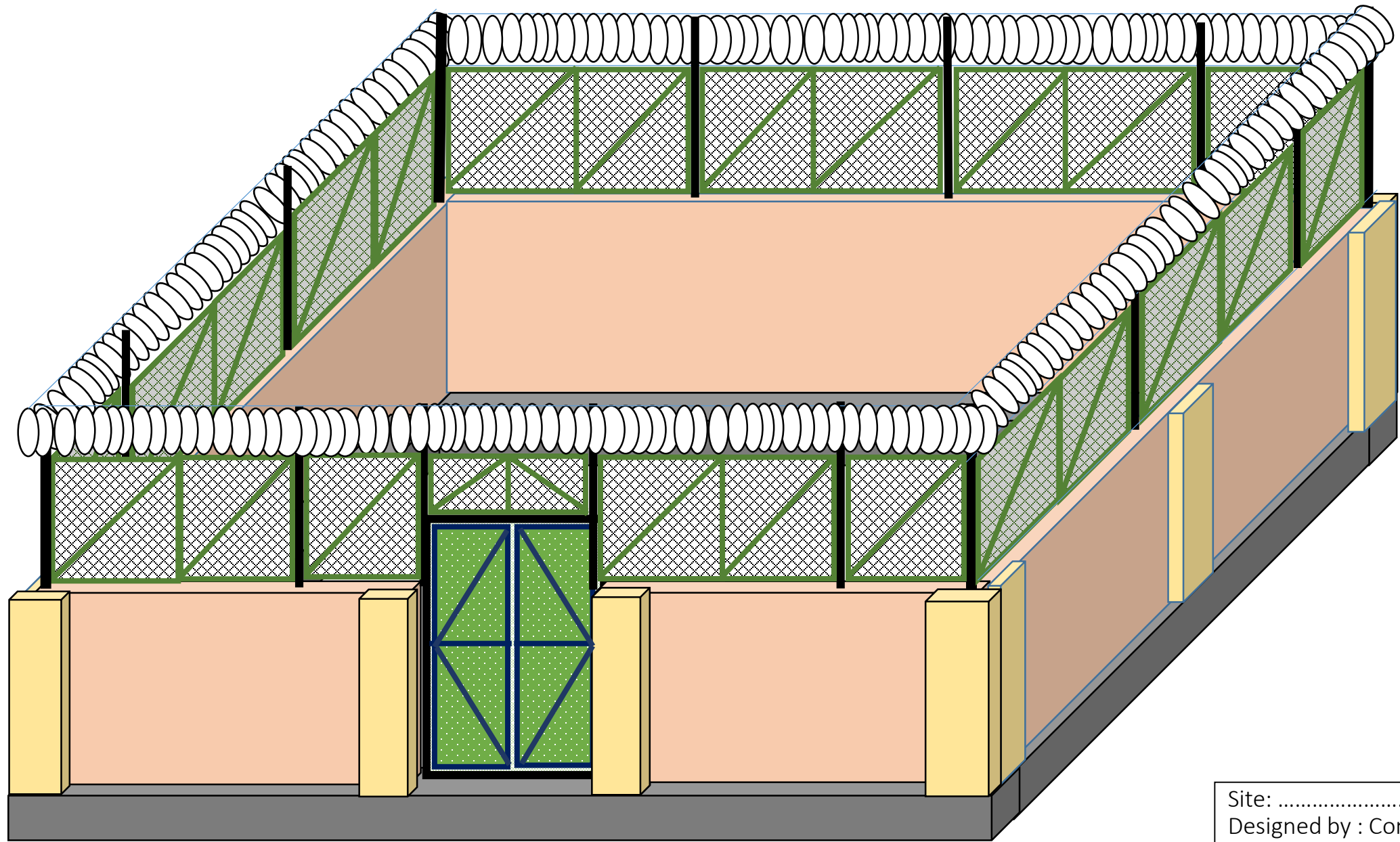


30 m

25 m

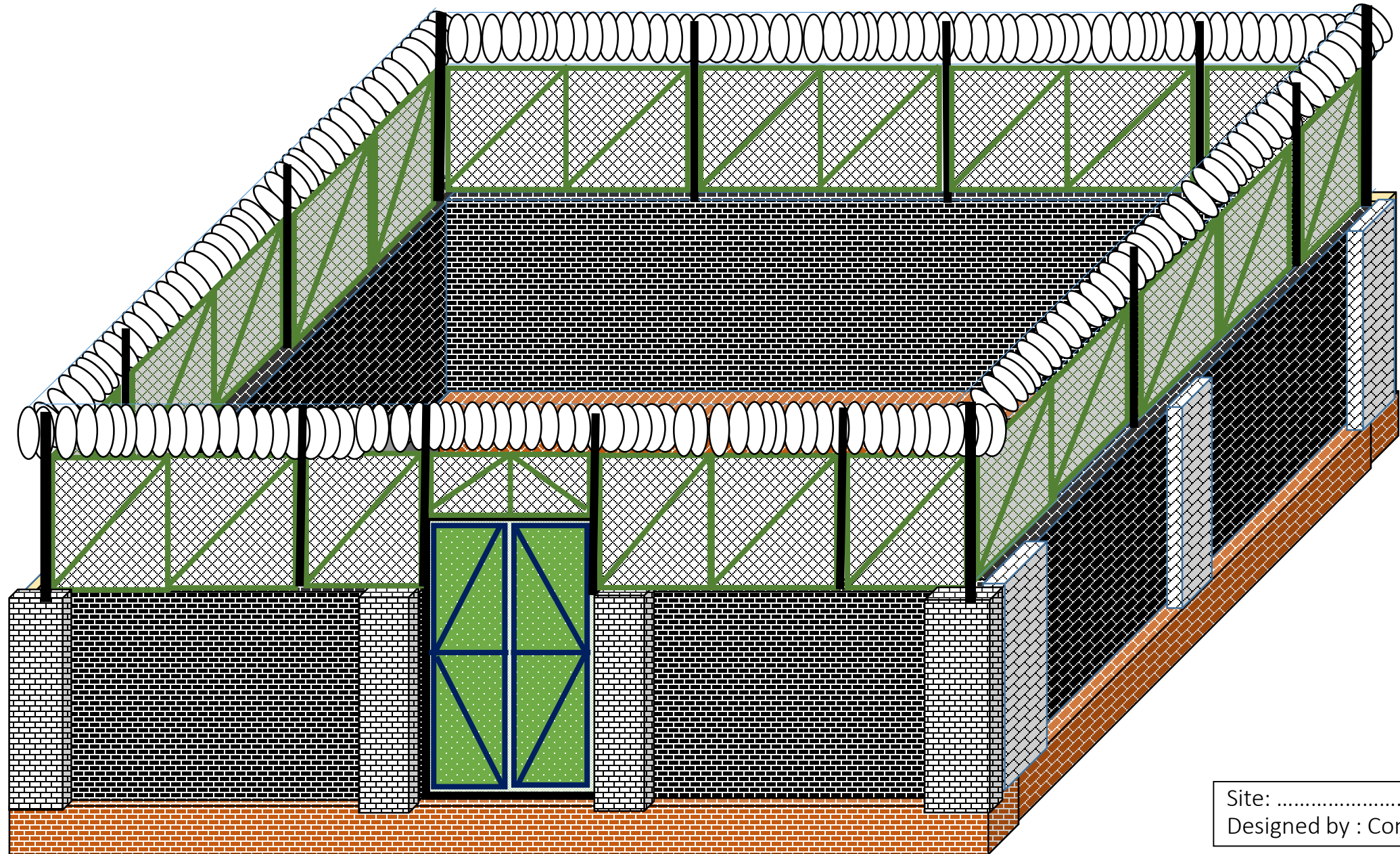
Site: .....  
Designed by : Construction Engineer

# Solar fence Design



Site: .....  
Designed by : Construction Engineer

# Solar fence Design



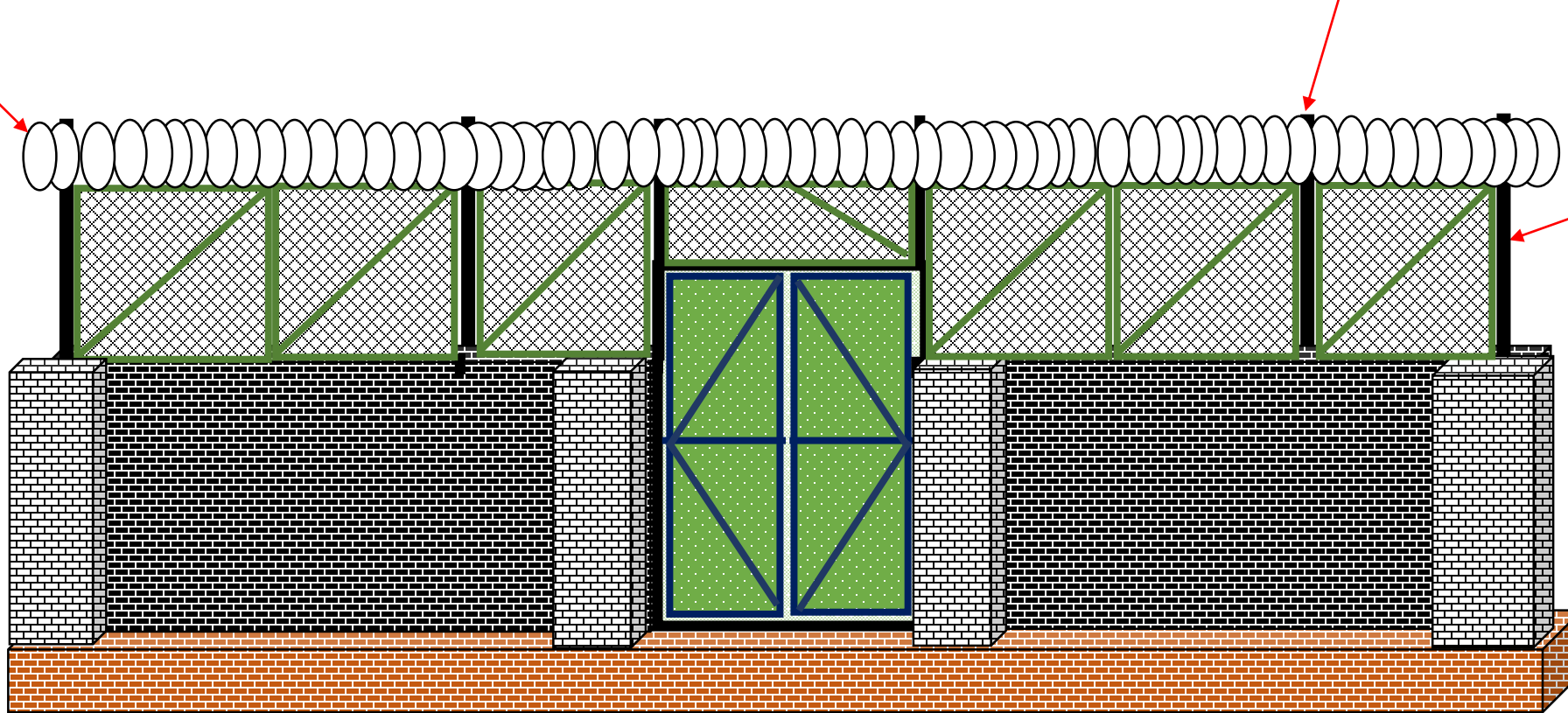
Site: .....  
Designed by : Construction Engineer

# Solar fence Design

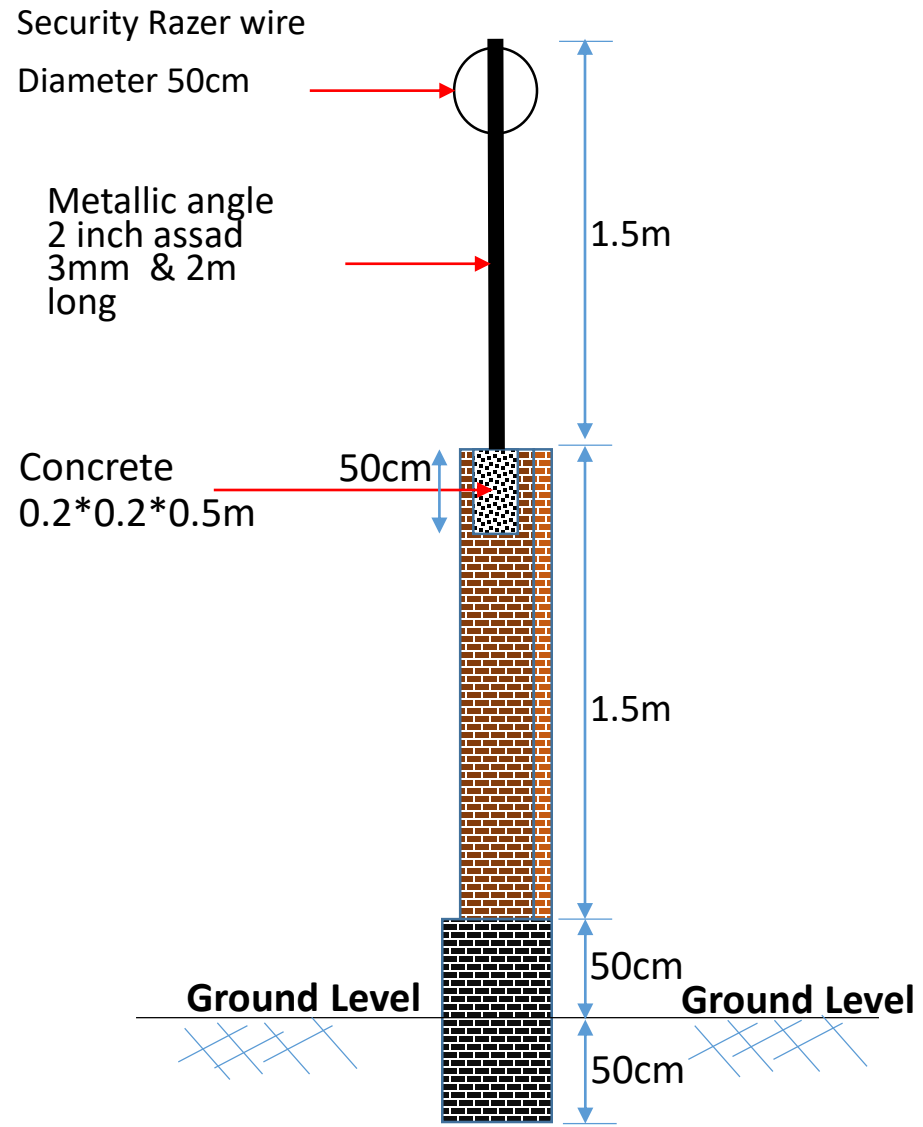
Security Razer wire  
Diameter 50cm

Metallic angle 2 inch assad  
3mm

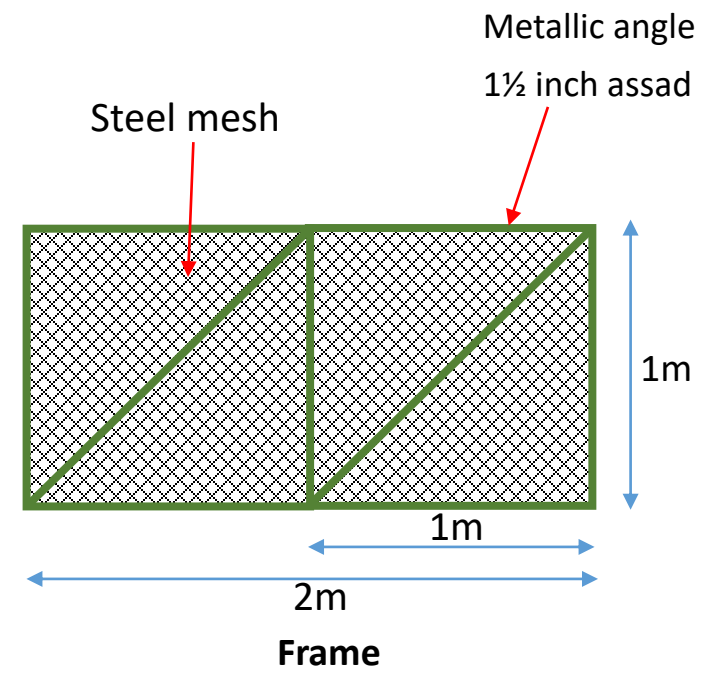
Metallic angle 2  
inch assad 3mm



Site: .....  
Designed by : Construction Engineer

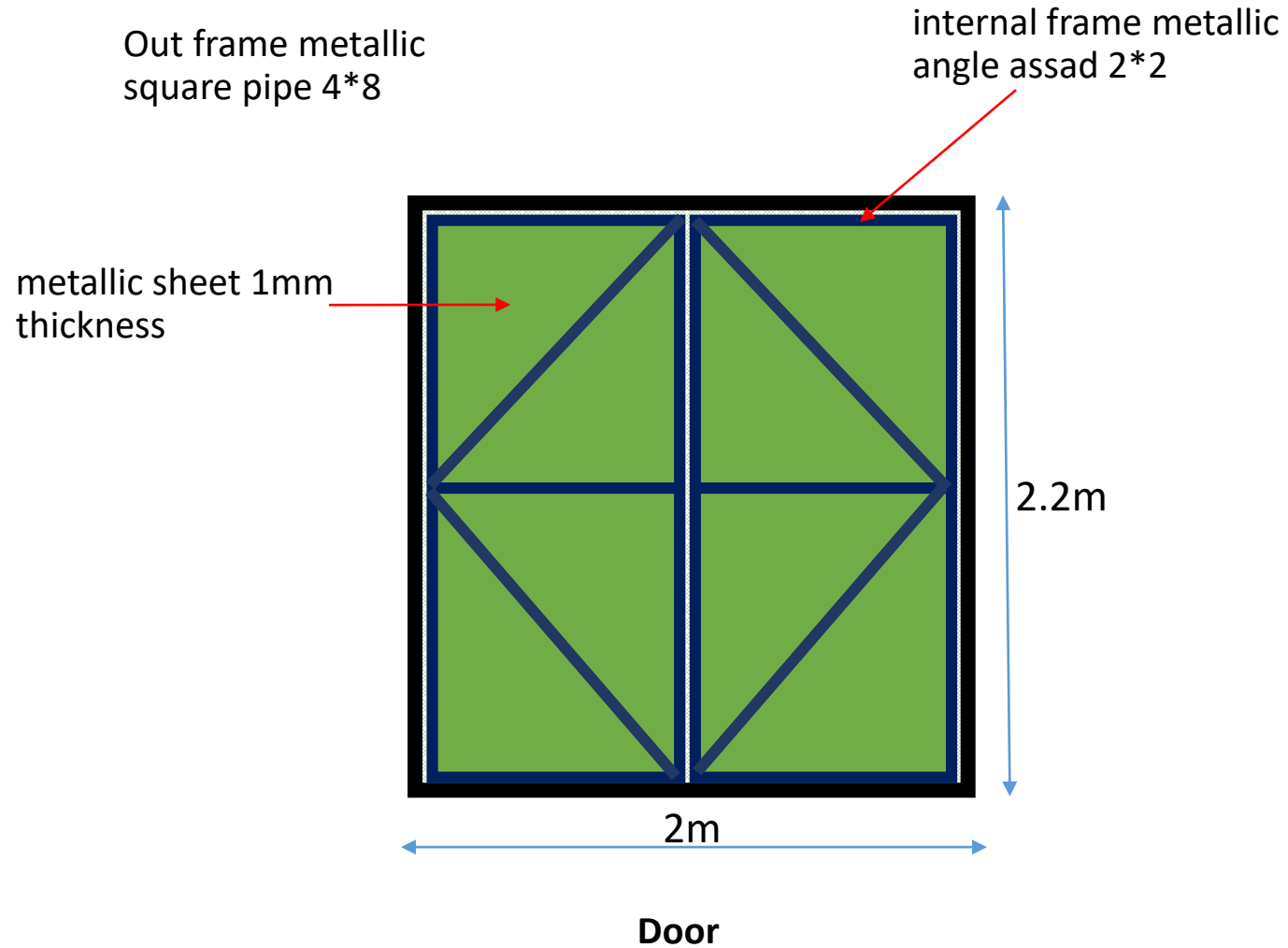


Section details



Site: .....  
Designed by : Construction Engineer

# Double Leaf Door



Sites: .....  
Designed by : Construction Engineer